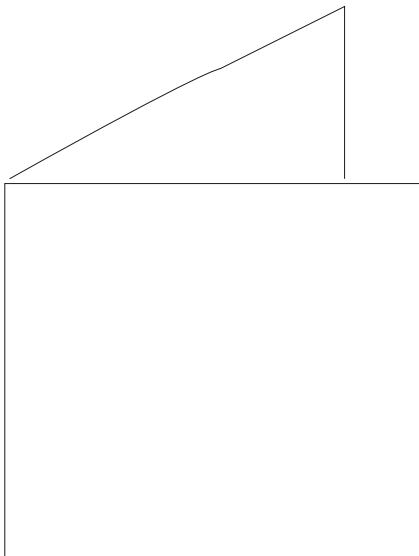
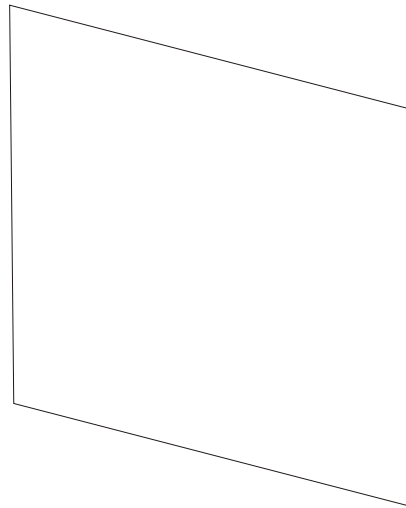


Tray Card
(seen from spine and back of case)

Front Insert
(seen through front cover and inside front right)



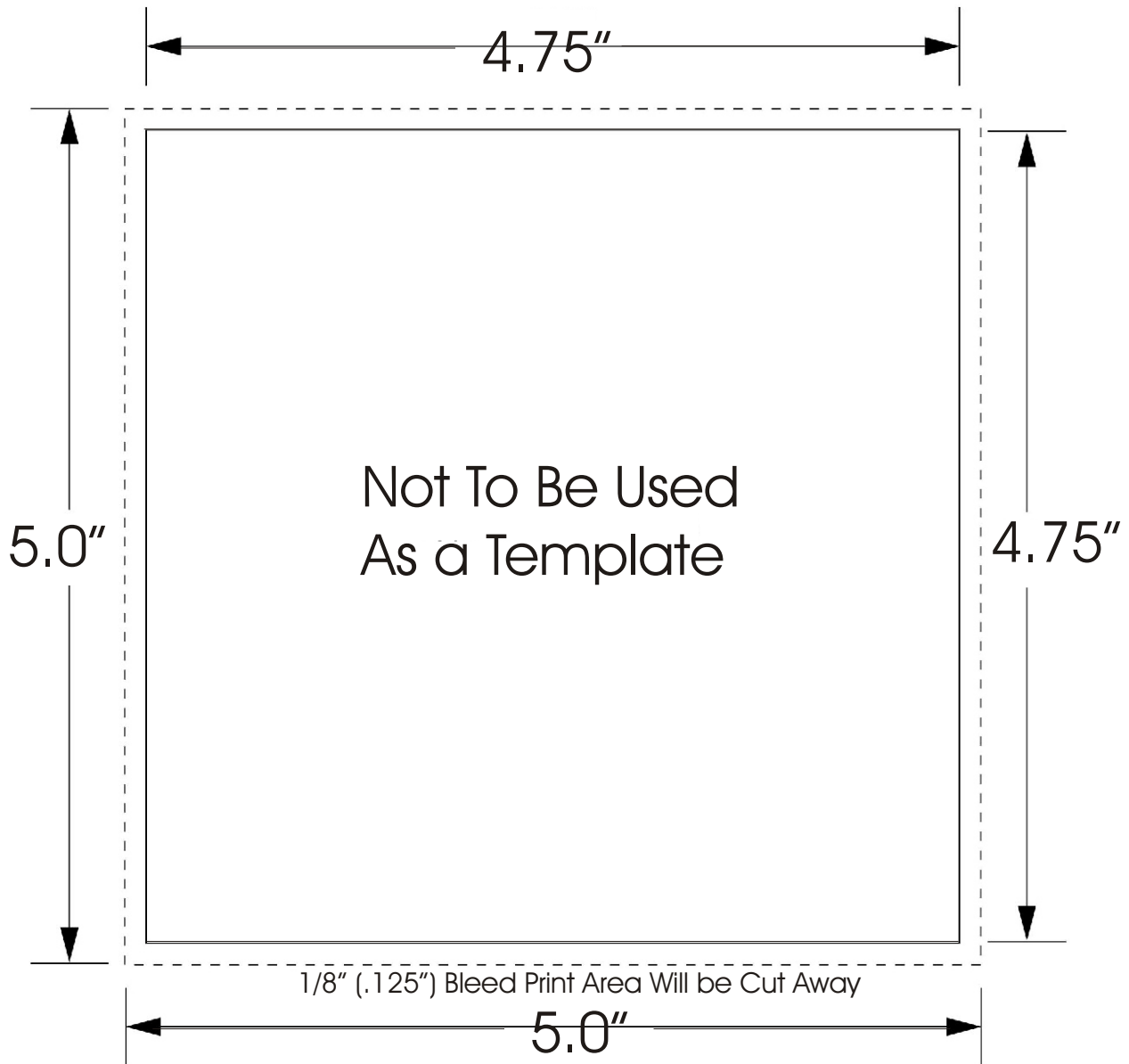
2 Panel Front Insert
(4 printable faces)



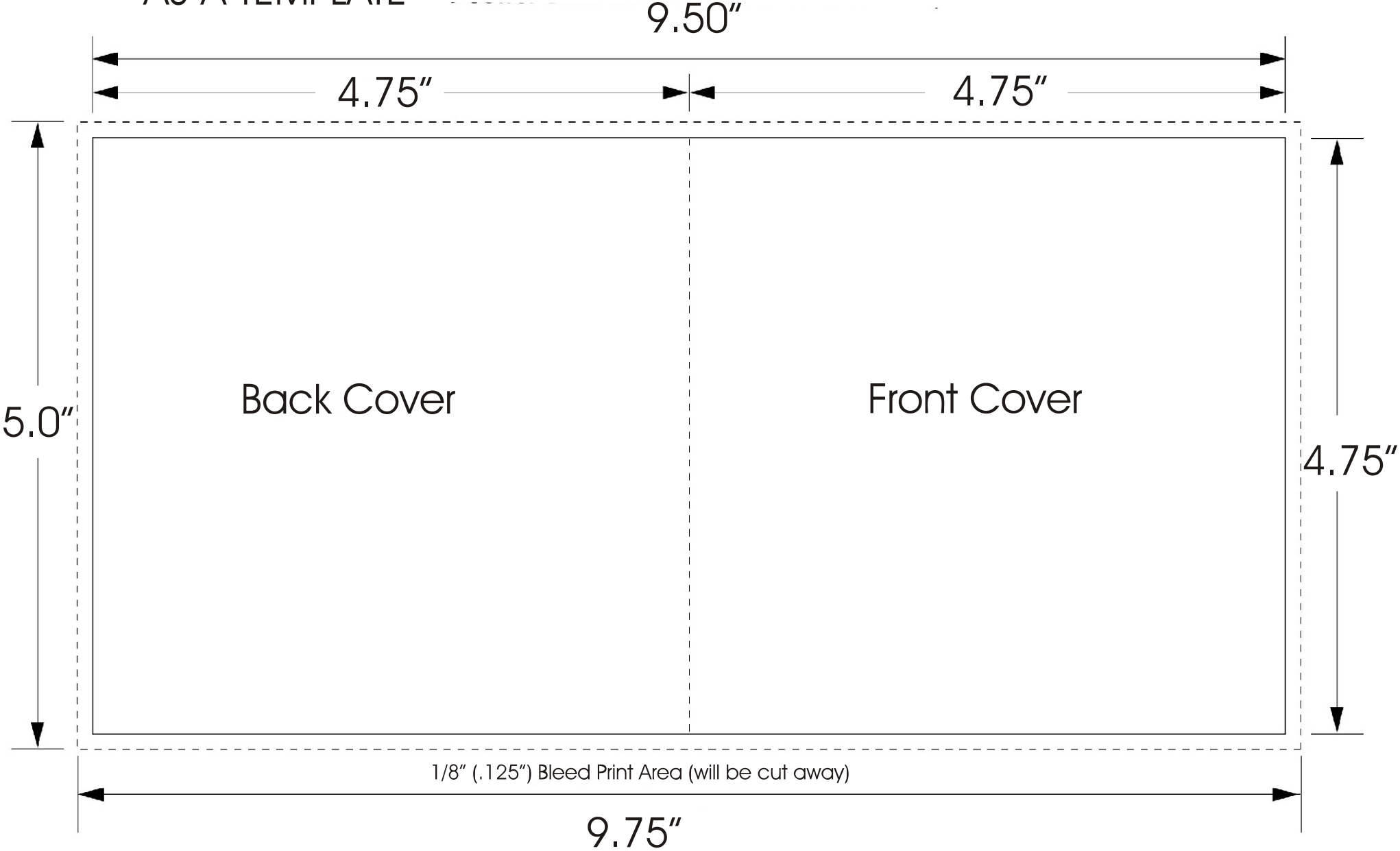
1 Panel Front Insert
(2 printable faces)

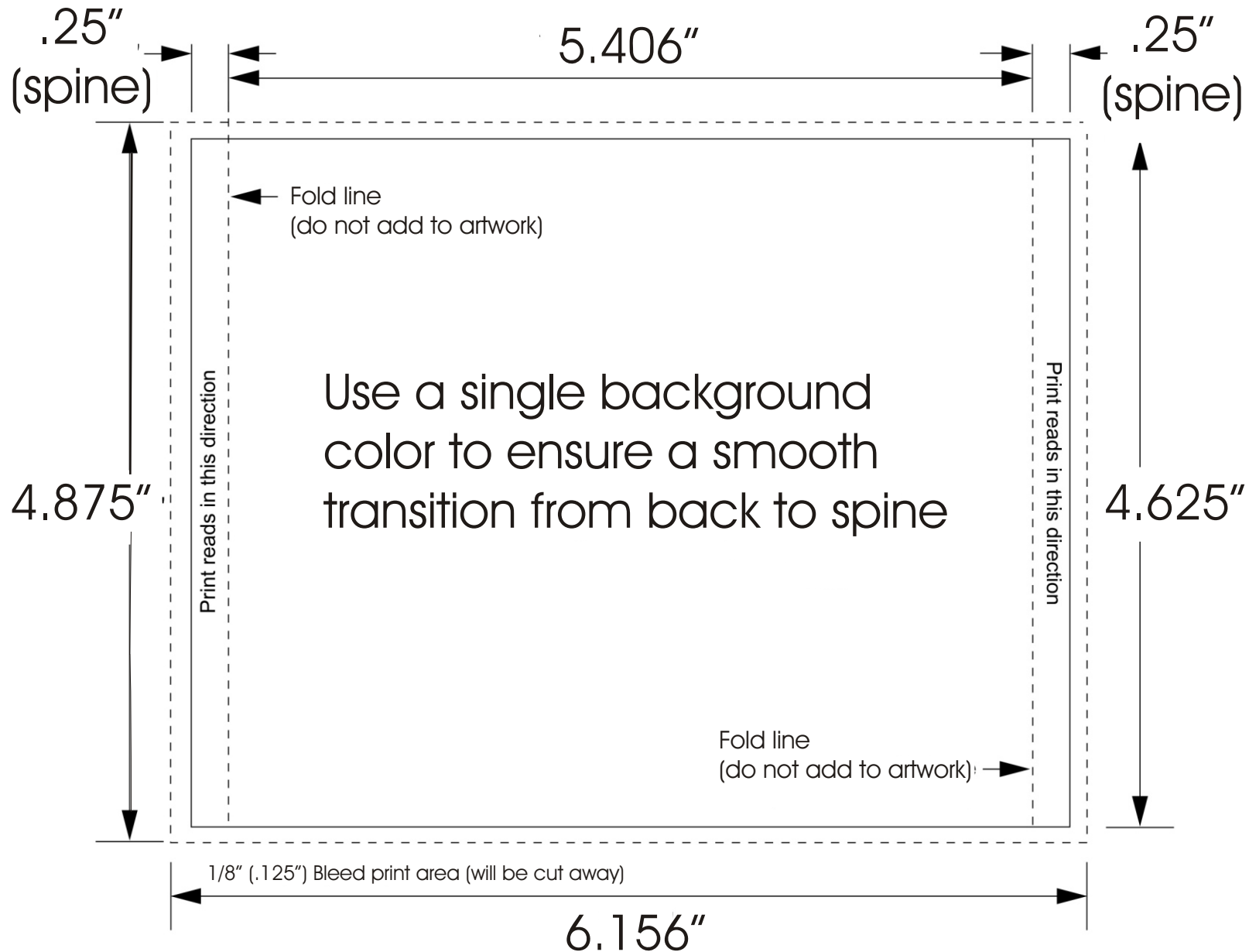
drbobcanhelp.com

One Panel Jewel Case Guidelines

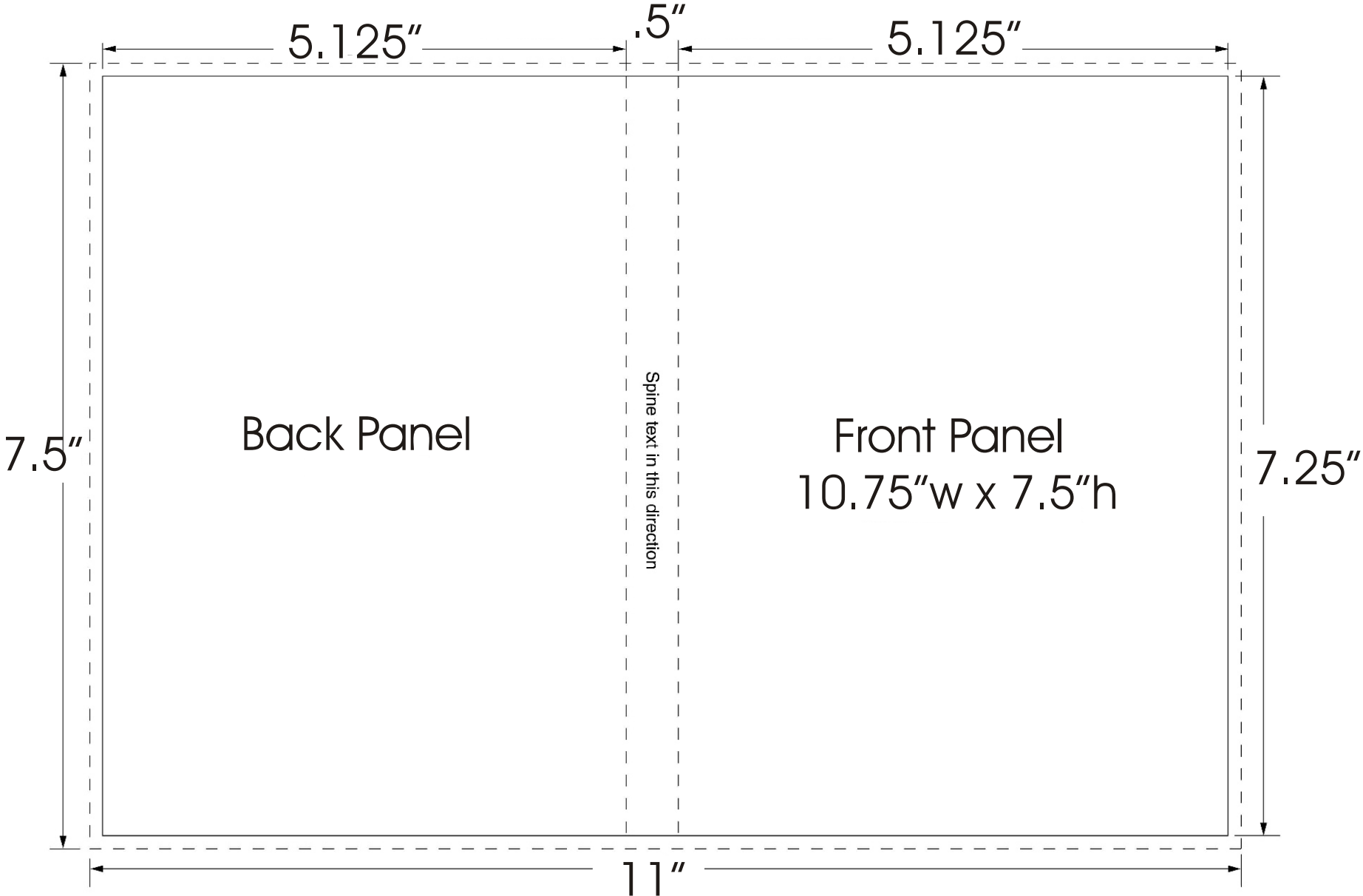


NOT TO BE USED
AS A TEMPLATE





NOT TO BE USED
AS A TEMPLATE



1/8" (.125 bleed on all four sides (will be cut away))

drbobcanhelp.com

DVD Case Insert Guidelines

NOT TO BE USED
AS A TEMPLATE

